

ATTO

A Leading Wrestling Entertainment Organization Tackles Archival Challenges with ATTO XstreamCORE

A leading wrestling entertainment organization faced a growing challenge: their aging LTO 7 tape archive, managed by FlashNet®, was nearing capacity and hindering workflow efficiency. This issue, compounded by a facility relocation, presented an opportunity to modernize their archiving strategy.

ATTO XstreamCORE Intelligent Bridges

The Production Workflow

The organization's previous workflow involved ingesting video onto Avid Nexis® for editing. Data was then tiered to Dell OneFS® nearline storage based on usage, before final archival to LTO 7 tapes via FlashNet. This system, however, struggled to keep pace with their expanding content library.

The Challenge: Migration and Modernization

The facility relocation necessitated abandoning their existing tape libraries. The challenge was twofold: migrating existing LTO 7 data to a new LTO 9 infrastructure in a new facility, and ensuring seamless production workflow during the transition.

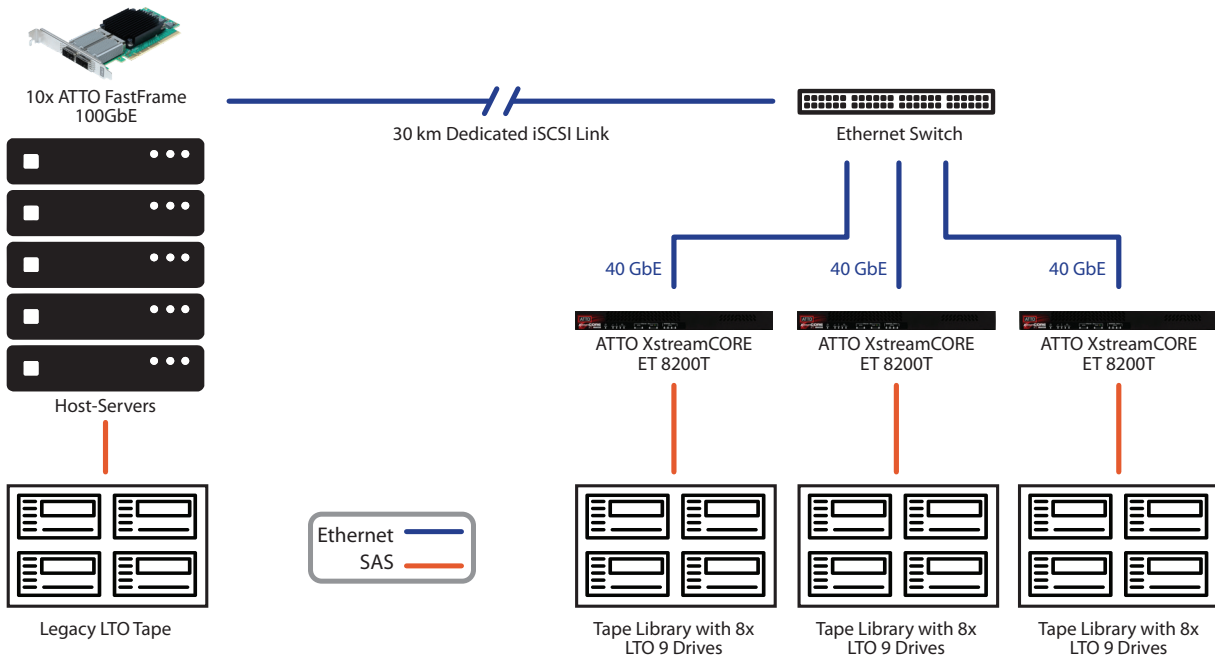
03/13/25

Key Benefits:

- **High-Speed Connectivity:** 40Gb Ethernet support ensures rapid data transfer to and from LTO 9 tape libraries.
- **Enhanced Tape Performance:** Supports up to 16 SAS tape drives per controller, scalable to 64 servers over Ethernet, maximizing LTO 9 throughput.
- **Minimal Latency:** ~2 microseconds of latency ensures near real-time performance.
- **Scalability and Flexibility:** Provides a scalable, future-proof solution for the organization's long-term storage needs.

The Solution

The ATTO XstreamCORE™ 8200T intelligent bridge provided the ideal solution. XstreamCORE enables remote sharing of SAS tape drives over high-speed Ethernet networks, simplifying connectivity and management.



Key Considerations and Advantages

In selecting the new solution, the organization's post-production team focused on:

LTO Migration and Capacity: XstreamCORE facilitated a seamless transition from LTO 7 to LTO 9, offering a threefold capacity increase and improved throughput for both daily operations and data migration.

Cost Efficiency: Moving to SAS tape drives eliminates the need for Fibre Channel infrastructure, significantly reducing hardware and operational costs.

Operating System Agnostic: Any modern OS with iSCSI initiator support can be used, including Red Hat® Linux, Rocky Linux™, SUSE®, Windows®, FreeBSD™, and macOS®.

Future-Proofing: XstreamCORE's Ethernet-based architecture provides a scalable and flexible foundation for future growth and technology advancements.

Conclusion

The ATTO XstreamCORE 8200T has transformed the archiving workflow of a leading wrestling entertainment organization. By simplifying data management, increasing storage capacity, reducing costs, and ensuring seamless integration with their existing infrastructure, XstreamCORE empowers them to preserve their valuable content and adapt to the evolving media landscape. This solution has not just been an upgrade, but a strategic investment in the organization's future.

For more on ATTO XstreamCORE:
www.atto.com/xstreamcore

For more Solutions
www.atto.com/solutions

Contact ATTO Sales:
sales@atto.com

www.atto.com
+1 (716) 691-1999

ATTO